

4MP Mini Fixed Bullet Network Camera

IPC2124SR3-APF40 (60)



Key Features

Optics

- Day/night functionality
- Smart IR , up to 30 m (98 ft) IR distance
- Optical glass window with higher light transmittance
- IR anti-reflection window to increase the infrared transmittance
- 2D/3D DNR (Digital Noise Reduction)

Compression

- Ultra 265,H.265, H.264, MJPEG
- Embedded smart algorithm
- Triple streams
- 9:16 corridor format

Network

- ONVIF Conformance

Structure

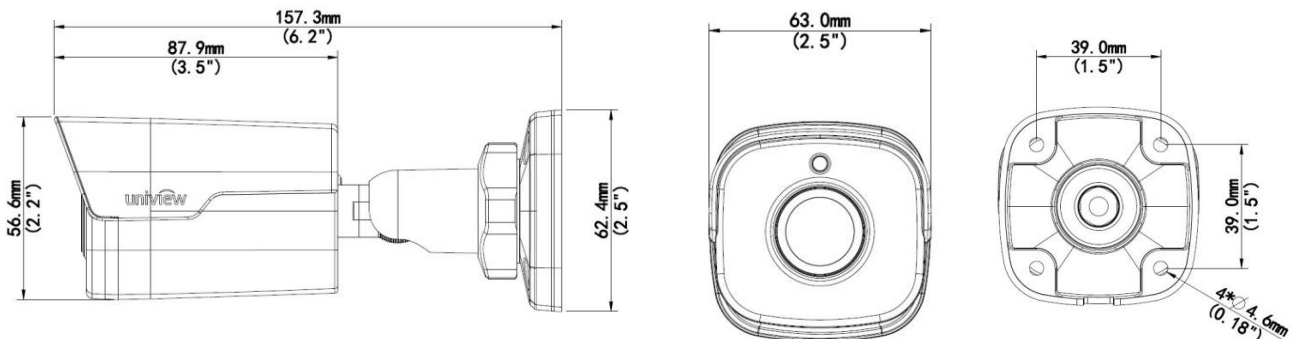
- Wide temperature range: -35°C to 60°C (-31°F to 140°F)
- Wide voltage range of ±25%
- IP67
- IK10 vandal resistant
- 3-Axis

Specifications

| | IPC2124SR3-APF40 | IPC2124SR3-APF60 | |
|-------------------------|--|------------------|-----------------|
| Camera | | | |
| Sensor | 1/3", megapixel, 4.0 progressive scan, CMOS | | |
| Lens | 4.0mm@ F2.0 | 6.0mm@ F2.0 | |
| Angle of View(H) | 78.9° | 49.9° | |
| Angle of View (V) | 39.6° | 27° | |
| Angle of View (O) | 97.1° | 61.4° | |
| Adjustment angle | Pan: 0°~360° | Tilt: 0°~90° | Rotate: 0°~360° |
| Shutter | Auto/Manual, 1~1/100000 s | | |
| Minimum Illumination | Colour: 0.02 Lux (F2.0, AGC ON) 0 Lux with IR on | | |
| Day/Night | IR-cut filter with auto switch (ICR) | | |
| Digital noise reduction | 2D/3D DNR | | |
| S/N | >52dB | | |
| IR Range | Up to 30m (98 ft) IR range | | |
| Defog | Digital Defog | | |
| WDR | 120dB | | |
| Video | | | |
| Video Compression | Ultra 265, H.265, H.264, MJPEG | | |
| H.264 code profile | Baseline profile, Main Profile, High Profile | | |
| Frame Rate | Main Stream:4MP (2592×1520): Max. 20 fps, 4MP (2560×1440): Max. 25 fps, 3MP (2048×1520): Max. 30 fps; Sub Stream:2MP (1920×1080): Max. 30 fps; Third Stream:D1(720×576) : Max. 30fps | | |
| 9:16 Corridor Mode | Supported | | |
| HLC | Supported | | |
| BLC | Supported | | |
| OSD | Up to 8 OSDs | | |
| Privacy Mask | Up to 8 areas | | |
| ROI | Up to 8 areas | | |
| Motion Detection | Up to 4 areas | | |
| Smart | | | |
| Behavior Detection | Intrusion, cross line, motion detection | | |

| | |
|----------------------------|--|
| Intrusion | Enter and loiter in a pre-defined virtual region |
| cross line | Cross a pre-defined virtual line |
| motion detection | Moving within a pre-defined virtual region |
| Recognition | Face detection, Audio detection |
| Intelligent Identification | Defocus, Scene Change, Object Left, Object Moving |
| Statistical Analysis | People counting |
| General Function | Watermark, IP Address Filtering, Tampering Alarm, Alarm input, Alarm output, Access Policy, ARP Protection, RTSP Authentication, User Authentication |
| Audio | |
| Audio Compression | G.711 |
| Suppression | Supported |
| Sampling Rate | 8 KHZ |
| Network | |
| Protocols | IPv4, IGMP, ICMP, ARP, TCP, UDP, DHCP, PPPoE, RTP, RTSP, RTCP, DNS, DDNS, NTP, FTP, UPnP, HTTP, HTTPS, SMTP, 802.1x, SNMP |
| Compatible Integration | ONVIF(Profile S), API |
| Interface | |
| Alarm I/O | 1/ 1 |
| Built-in Mic | Supported |
| Network | 1 RJ45 10M/100M Base-TX Ethernet |
| General | |
| Power | 12 V DC±25%, PoE (IEEE802.3 af) |
| | Power consumption: Max 6 W |
| Dimensions (L × W × H) | 157.3 × 62.4 × 63 mm (6.2" × 2.5" × 2.5") |
| Weight | 0.45 kg (0.99 lb) |
| Working Environment | -35°C ~ +60°C (-31°F ~ 140°F), Humidity :10%~95% RH(non-condensing) |
| Ingress Protection | IP67 |
| Vandal Resistant | IK10 |
| Reset Button | Supported |

Dimensions



Zhejiang Uniview Technologies Co., Ltd.

Building No.10, Wanlun Science Park, Jiangling Road 88, Binjiang District, Hangzhou, Zhejiang, China (310051)

Email: overseasbusiness@uniview.com; globalsupport@uniview.com

<http://www.uniview.com>

©2017-2018 Zhejiang Uniview Technologies Co., Ltd. All rights reserved.

*Product specifications and availability are subject to change without notice.